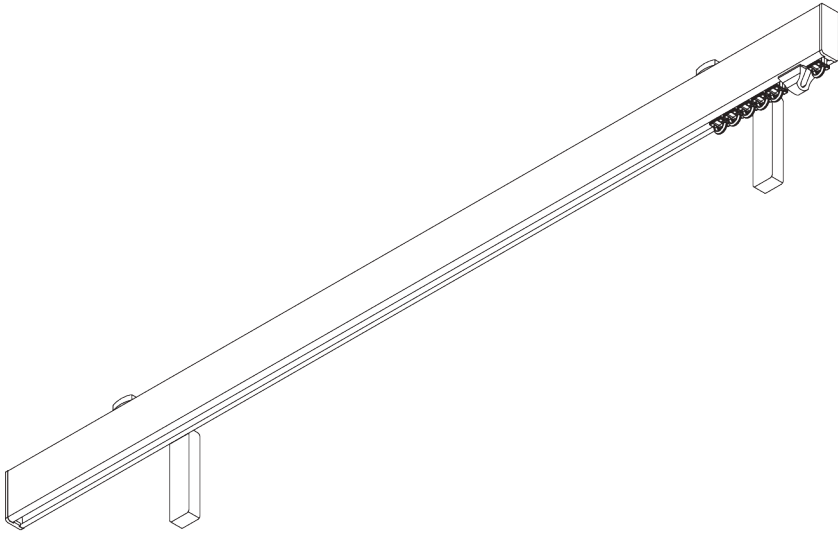
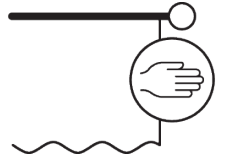


# SG 7605

---



## PRODUCT INFORMATION

- **Operation:** hand
- **Range:** S - M
- **Fitting:** ceiling, wall
- **Colours:** white RAL 9016, various colours / finishes
- **Fabrics:** refer to Silent Gliss fabric collection

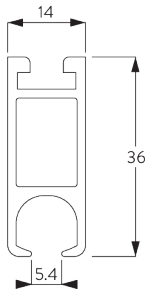
### **Features:**

- 2-component (2C) glider technology
- Wave (2C)
- Matching endcaps and brackets / bracket covers
- Bendable

# SYSTEM SPECIFICATIONS

## A. PROFILE

Profile and bending information

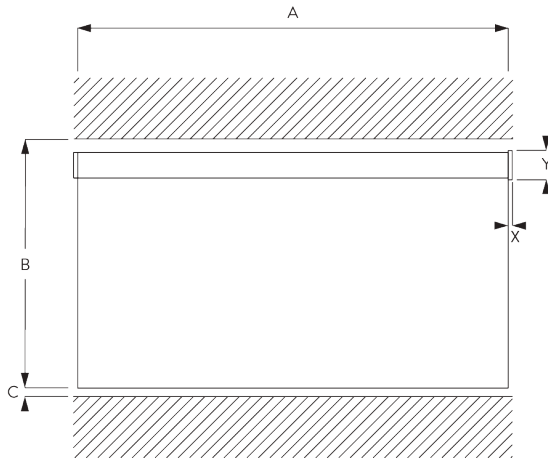


**SG 6101**

Profile

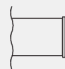

Radius:  
20 cm, >25 cm

## B. HOW TO MEASURE



A: System width without endcaps  
B: System height  
C: Distance between floor and fabric  
X: Endcap width  
Y: Endcap height

## Endcap Measurements

		36 mm	
		X	Y
	SG 11601	2	36
	SG 11611	5	40

## C. SPECIFICATION TEXT

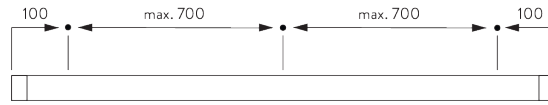
**Silent Gliss SG 7605 'Metropole' hand operated curtain track system.** Comprises 36mm h x 14 mm d aluminium profile SG 6100 supplied made to measure with 2C gliders SG 11300 at 14/m, 2 end flush covers SG 11601 and 2 no. end stops SG 6065. Straight poles supplied as standard with wall 'face' fix Smart Fix brackets SG 11206 at max. 600 mm centres. Optional wall fix brackets SG 11207-11208 / SG 11216-11218 / SG 11209 / SG 11472 / Fillet bracket SG 11669. Bent systems for wall 'face' fix supplied as standard with adjustable Smart Fix bracket SG 11209. Ceiling 'top' fix with plate SG 6151 / bracket SG 6175 / SG 11668 at max. 600 mm centres. Finished in Antique Bronze, Gunmetal, Black, Charcoal, Anodic Grey, Slate Grey, Matt White, White, Chrome Effect or Silver Anodised. Matching Flush and Stud endcaps available. Silent Gliss Wave option is available using 60mm glider cord SG 11303/80 mm glider cord SG 11302 / 80 mm roller glider cord SG 6099.

# FITTING

## A. FITTING INFORMATION

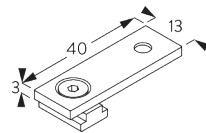
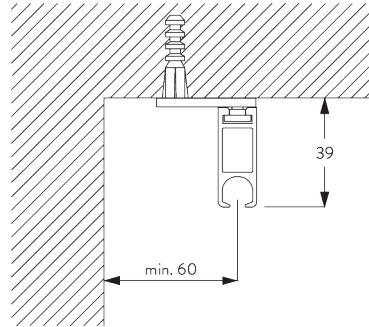
For detailed fitting information, visit the Silent Gliss website.

### Fixing points



## B. CEILING FITTING

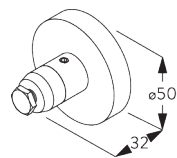
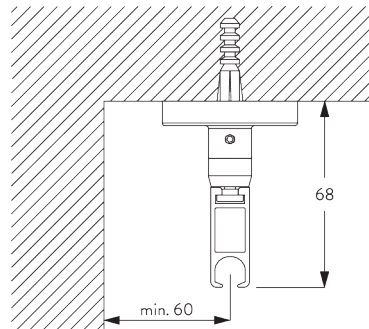
### Support SG 6151



#### SG 6151

Ceiling support set 3 mm

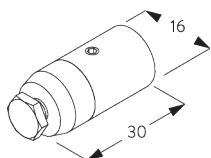
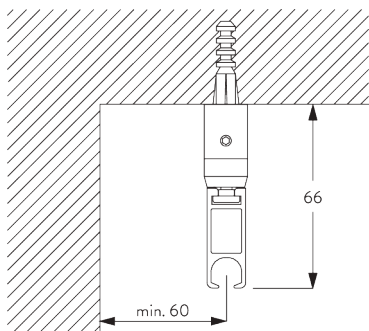
### Top fix bracket SG 11668



#### SG 11668

Top fix bracket

## Mini hanger SG 6175

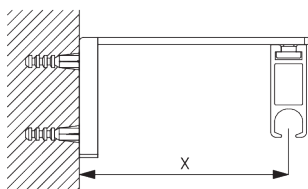


### SG 6175

Mini hanger

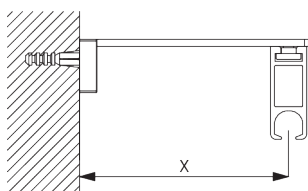
## C. WALL FITTING

### Smart Fix



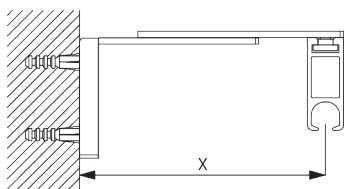
#### Smart Fix with slot SG 11206 - SG 11208 and SG 6141:

Screw SG 6783 (M4x10) needed.



#### Square Smart Fix with slot SG 11216 - SG 11218 and SG 6141:

Screw SG 6783 (M4x10) needed.

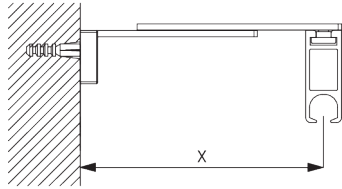


#### Adjustable Smart Fix SG 11209 and SG 6141:

Screw SG 6784 (M4x8) needed.

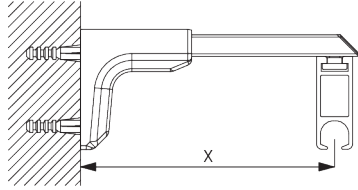
Note: all bent Metropole systems are supplied with adjustable bracket SG 11209 as standard.

Smart Fix	X mm	Y mm	Z mm
SG 11206 / SG 11216	51		
SG 11207 / SG 11217	71		
SG 11208 / SG 11218	91		
SG 11209 / SG 11472	80-100		
SG 11154	102-130		
SG 11155	132-160	68	65-72
SG 11156	182-210	68	65-123



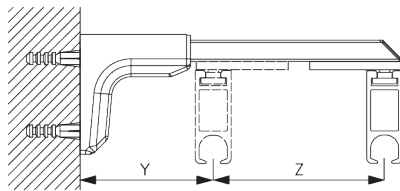
**Adjustable Square Smart Fix SG 11472 and SG 6141:**

Screw SG 6784 (M4x8) needed.



**Universal Smart Fix SG 11154 - SG 11156 and SG 6141:**

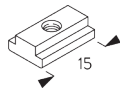
Screw SG 11131 (M4x6) needed.



**Double System:**

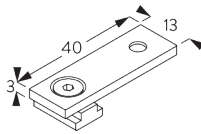
**Universal Smart Fix SG 11155 - SG 11156 and SG 6151:**

Screw SG 11127 (M4x10) and nut SG 11148 needed



**SG 6141**

Clamping piece



**SG 6151**

Ceiling support set 3 mm



**SG 6783**

Hexagon socket countersunk screw M4x10 mm



**SG 6784**

Hexagon socket countersunk screw M4x8 mm



**SG 11127**

Countersunk head screw M4x10



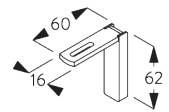
**SG 11131**

Pan head screw with flange M4x6



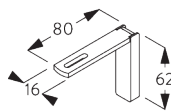
**SG 11148**

Nut



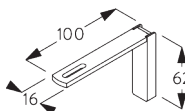
**SG 11206**

Smart Fix with slot 60 mm



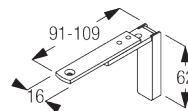
**SG 11207**

Smart Fix with slot 80 mm



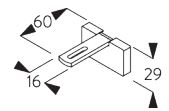
**SG 11208**

Smart Fix with slot 100 mm



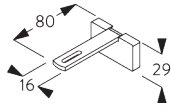
**SG 11209**

Adjustable Smart Fix

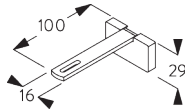


**SG 11216**

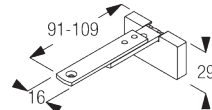
Square Smart Fix with slot 60 mm



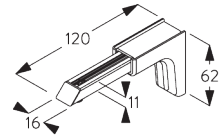
**SG 11217**  
Square Smart Fix with slot 80 mm



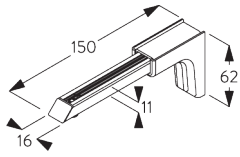
**SG 11218**  
Square Smart Fix with slot 100 mm



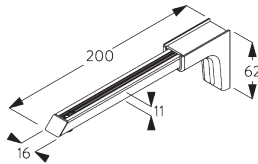
**SG 11472**  
Adjustable Square Smart Fix



**SG 11154**  
Universal Smart Fix 120 mm

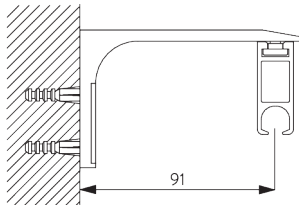


**SG 11155**  
Universal Smart Fix 150 mm

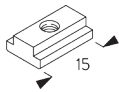


**SG 11156**  
Universal Smart Fix 200 mm

## Fillet Bracket SG 11669



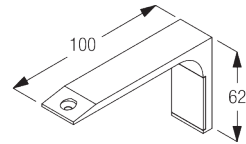
Screw SG 6784 (M4x8) needed.  
Recommended for straight systems only.



**SG 6141**  
Clamping piece



**SG 6784**  
Hexagon socket countersunk  
screw M4x8 mm



**SG 11669**  
Fillet bracket

# DESIGN & SYSTEM OPTIONS

## A. ENDCAPS



SG 11601

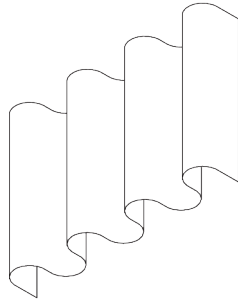


SG 11611

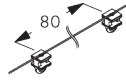
Please note:

- Poles are supplied as standard with flush fitting endcaps SG 11601 (left).
- Alternatively, stud endcaps SG 11611 (right) can be selected at no additional cost.

## B. WAVE



SG 11295



SG 11302

### Standard components:

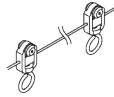
- SG 11295 End stop
- SG 11302 Wave 2C glider cord 80 mm



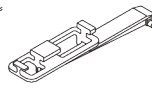
SG 2255



SG 2256



SG 6099



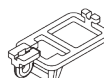
SG 6364

### Optional components (min. Radius >25 cm):

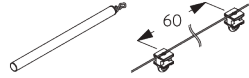
- SG 2255 Brake
- SG 2256 Brake
- SG 6099 Wave roller cord 80 mm
- SG 6364 Wave extension
- SG 6365 Wave hanger
- SG 6366 Wave carrier for draw rod
- SG 10430-34 Draw rod
- SG 11303 Wave 2C glider cord 60 mm



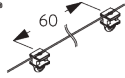
SG 6365



SG 6366



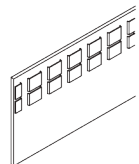
SG 10430-34



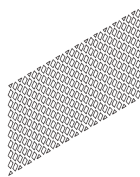
SG 11303



SG 3582



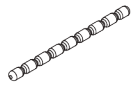
SG 6349



SG 6363

### Curtain components:

- SG 3582 Hook
- SG 6349 Wave curtain tape
- SG 6363 Wave top hemming tape
- SG 10075 Lead weight 50 gr/m
- SG 10076 Fabric weigh

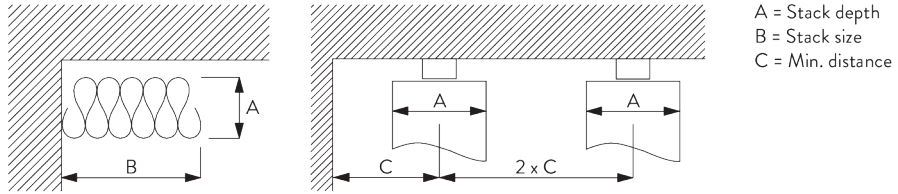


SG 10075



SG 10076

Wave stack depth - 2C glider cord (standard components)



2C Glider cord SG 11302	Pockets between hooks	Approx. curtain fullness	Stack depth A	Stack size B*	Min distance C
80	6	~2.1	140	180 per metre of track	90
80	7	~2.3	160	180 per metre of track	100



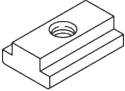
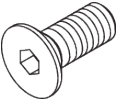
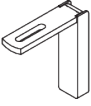

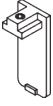
2C Glider cord SG 11303	Pockets between hooks	Approx. curtain fullness	Stack depth A	Stack size B*	Min distance C
60	4	~2.1	100	230 per metre of track	70
60	5	~2.3	120	230 per metre of track	80

\*Stack size B when using optional extension arm SG 6364 increases by 95 mm per curtain stack!

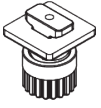
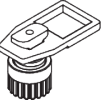
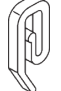
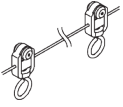
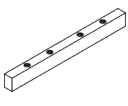
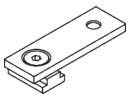
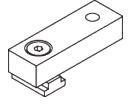
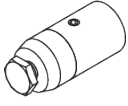
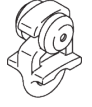


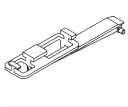
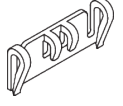
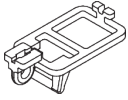


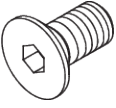

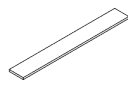
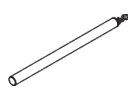
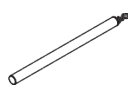
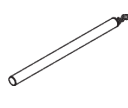
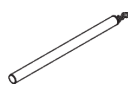
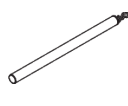
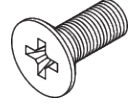

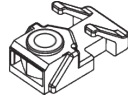
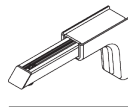
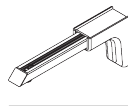
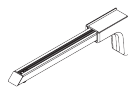
# PARTS

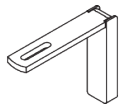
## A. STANDARD PARTS

	<b>SG 6065</b> End stop
	<b>SG 6101</b> Profile
	<b>SG 6141</b> Clamping piece
	<b>SG 6783</b> Hexagon socket countersunk screw M4x10 mm
	<b>SG 11206</b> Smart Fix with slot 60 mm
	<b>SG 11300</b> 2C glider
	<b>SG 11601</b> Flush end cap 36 mm

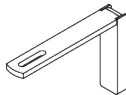
## B. OPTIONAL PARTS

	<b>SG 2255</b> Brake
	<b>SG 2256</b> Brake
	<b>SG 3582</b> Hook
	<b>SG 6099</b> Wave roller cord 80 mm
	<b>SG 6112</b> Connection bridge
	<b>SG 6151</b> Ceiling support set 3 mm
	<b>SG 6152</b> Ceiling support set 9 mm
	<b>SG 6175</b> Mini hanger
	<b>SG 6283</b> Roller
	<b>SG 6349</b> Wave curtain tape
	<b>SG 6363</b> Wave top hemming tape
	<b>SG 6364</b> Wave extension
	<b>SG 6365</b> Wave hanger
	<b>SG 6366</b> Wave carrier for draw rod

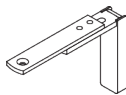
	<b>SG 6784</b> Hexagon socket countersunk screw M4x8 mm
	<b>SG 10075</b> Lead weight 50 g/m
	<b>SG 10076</b> Fabric weight
	<b>SG 10430</b> Draw rod 50 cm
	<b>SG 10431</b> Draw rod 75 cm
	<b>SG 10432</b> Draw rod 100 cm
	<b>SG 10433</b> Draw rod 125 cm
	<b>SG 10434</b> Draw rod 150 cm
	<b>SG 11127</b> Countersunk head screw M4x10
	<b>SG 11131</b> Pan head screw with flange M4x6
	<b>SG 11148</b> Nut
	<b>SG 11154</b> Universal Smart Fix 120 mm
	<b>SG 11155</b> Universal Smart Fix 150 mm
	<b>SG 11156</b> Universal Smart Fix 200 mm

**SG 11207**

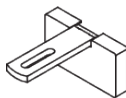
Smart Fix with slot 80 mm

**SG 11208**

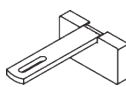
Smart Fix with slot 100 mm

**SG 11209**

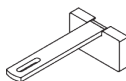
Adjustable Smart Fix

**SG 11216**

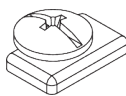
Square Smart Fix with slot 60 mm

**SG 11217**

Square Smart Fix with slot 80 mm

**SG 11218**

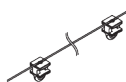
Square Smart Fix with slot 100 mm

**SG 11295**

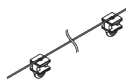
End stop

**SG 11301**

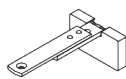
2C glider on strip

**SG 11302**

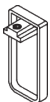
Wave 2C glider cord 80 mm

**SG 11303**

Wave 2C glider cord 60 mm

**SG 11472**

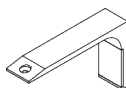
Adjustable Square Smart Fix

**SG 11611**

Stud endcap 36 mm

**SG 11668**

Top fix bracket

**SG 11669**

Fillet bracket



